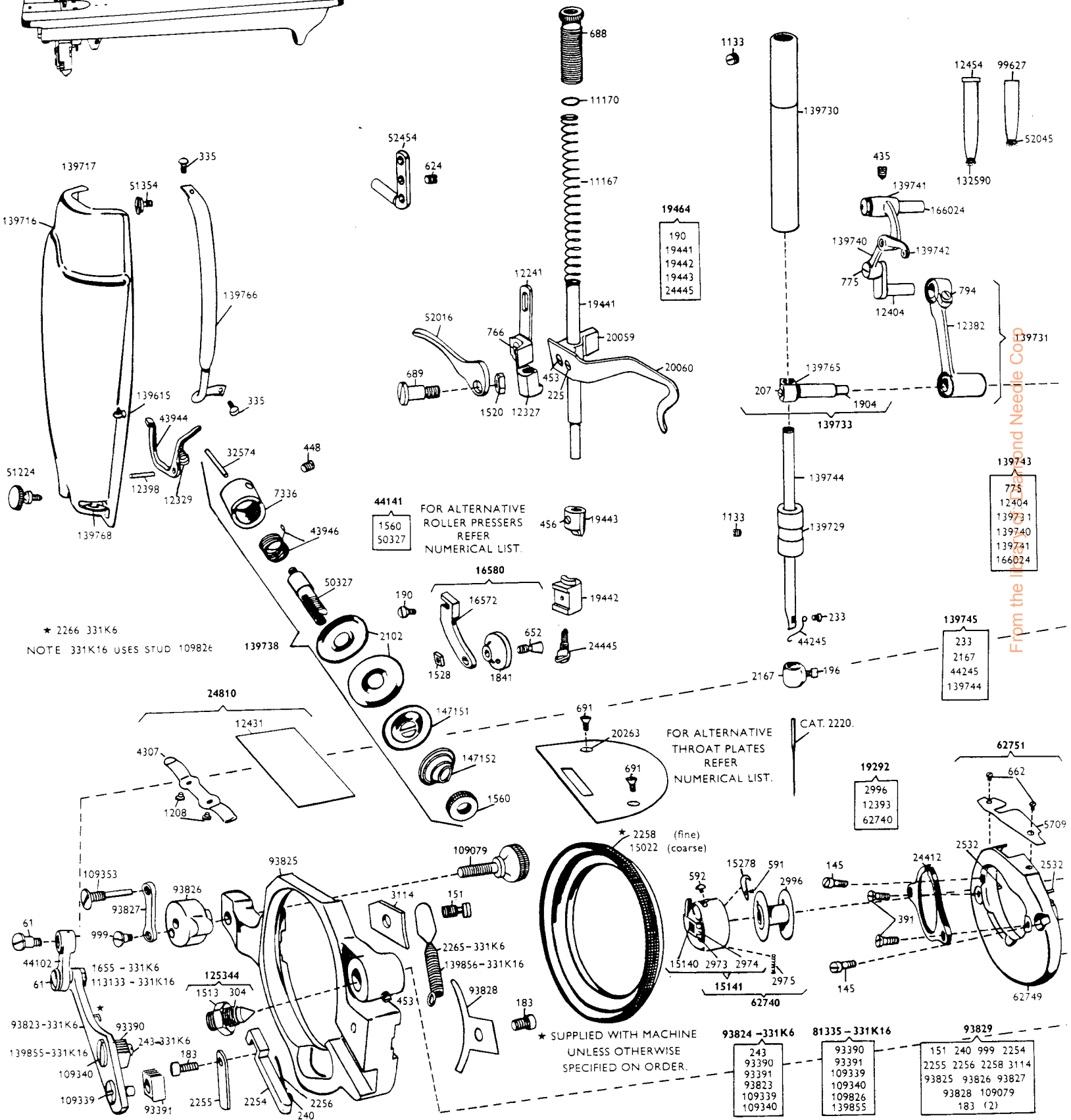
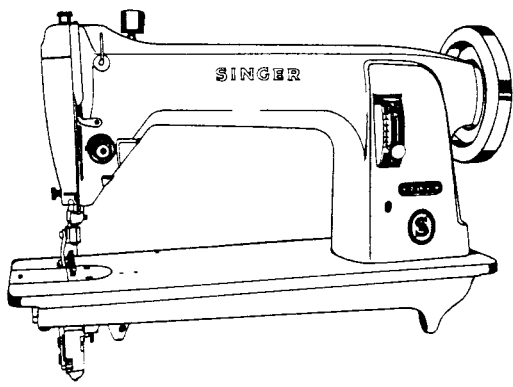
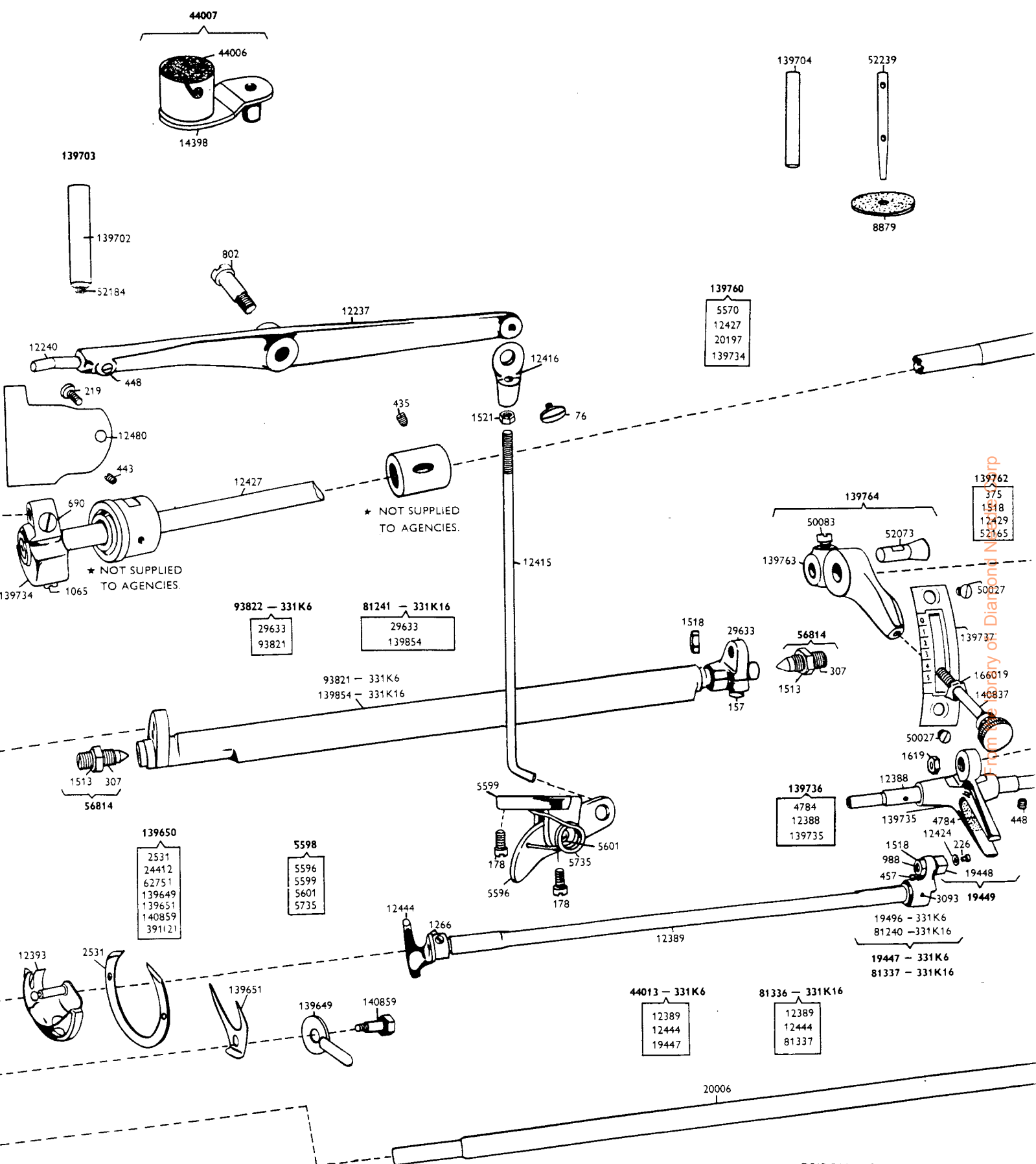


SINGER
331K6,K16

SINGER® 331k6 & 331k16



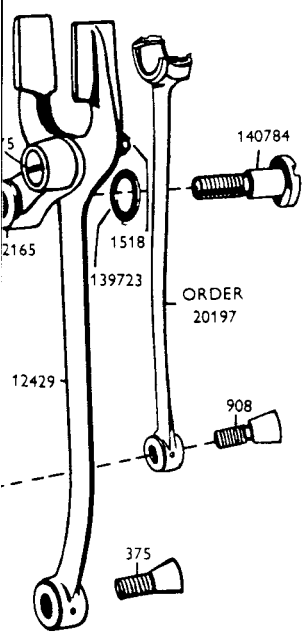
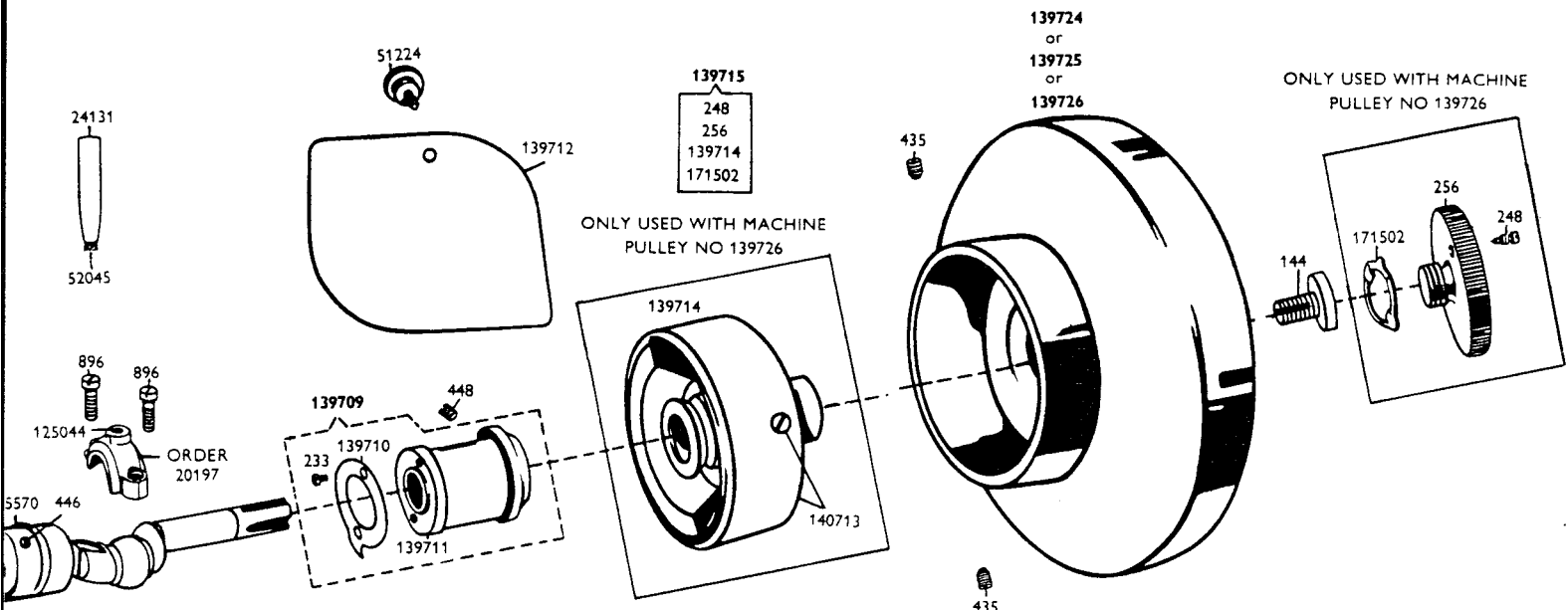
From the Illustration of a Bond Needle Co.



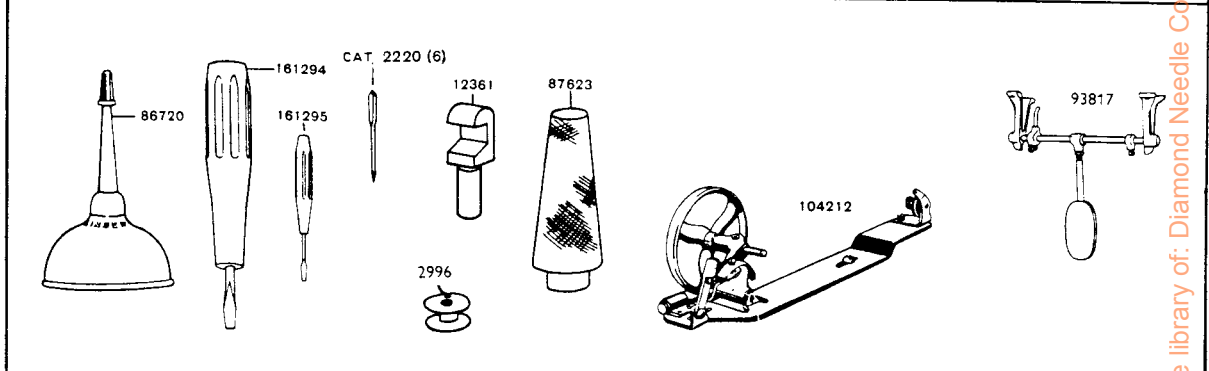
* NOT SUPPLIED TO AGENCIES.

* NOT SUPPLIED TO AGENCIES.

DRIP PAN NO 80865
(NOT ILLUSTRATED)
SUPPLIED WITH MACHINE.



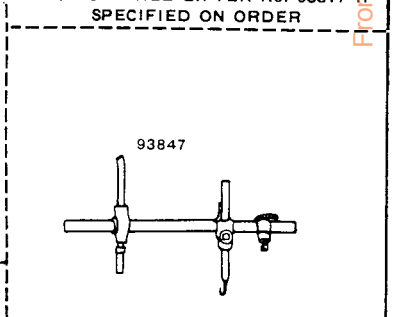
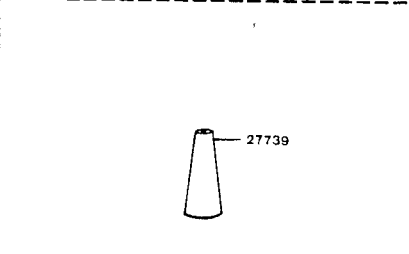
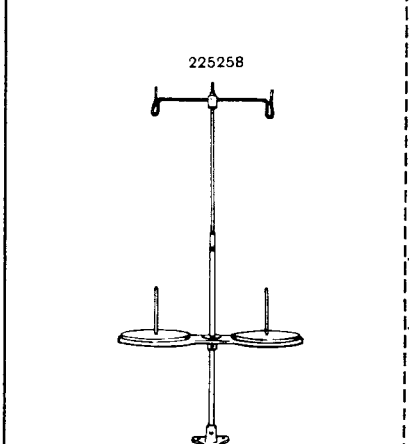
ACCESSORIES SUPPLIED WITH MACHINE



AVAILABLE AT NO EXTRA CHARGE IF SPECIFIED ON ORDER

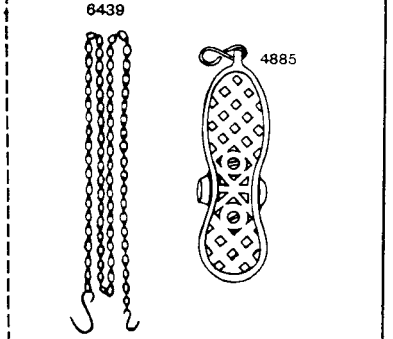
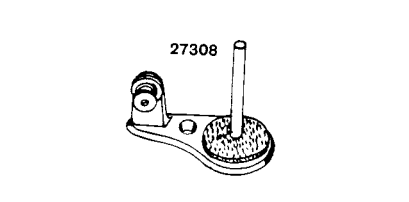
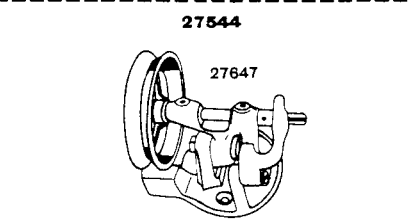
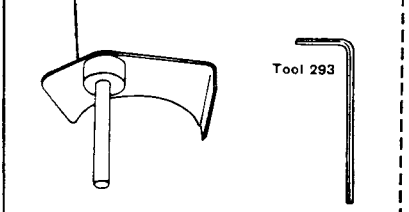
AVAILABLE AT AN EXTRA CHARGE IF SPECIFIED ON ORDER

FOOT LIFTER No. 93847 AVAILABLE IN PLACE OF KNEE LIFTER No. 93817 IF SPECIFIED ON ORDER



BOBBIN WINDER No. 27544 AVAILABLE IN PLACE OF BOBBIN WINDER No. 104212 IF SPECIFIED ON ORDER

174112—FOR USE WITH MACHINE PULLEY No. 139724
93849—FOR USE WITH MACHINE PULLEY No. 139725



From the library of: Diamond Needle Corp

LIST OF PARTS FOR 331K6 AND 331K16 MACHINE

| <u>Part No.</u> | <u>Description</u> | <u>Part No.</u> | <u>Description</u> |
|-----------------|---|-----------------|---|
| 61(806) | Feed Wheel Driver Link Hinge Screw. | 988(803) | Oscillating Shaft Crank Slide Block Screw Stud. |
| 76(819) | Knee or Foot Lifter Lifting Lever Connecting Rod Joint Hinge Screw. | 999(803) | Feed Wheel Frame Adjuster Link Hinge Screw. |
| 144(803) | Arm Shaft Screw. | 1065(830) | Needle Bar Crank Position Screw. |
| 145(805) | Shuttle Race Screw. | 1133(830) | Needle Bar Bushing (lower) Set Screw. |
| 151(803) | Feed Wheel Friction Plate Screw. | 1133(830) | Needle Bar Bushing (upper) Set Screw. |
| 157(813) | Feed Rock Shaft Crank Clamping Screw. | 1208(819) | Shuttle Race Slide Spring Screw. |
| 178(805) | Knee or Foot Lifter Bell Crank Bracket Screw. | 1266(803) | Shuttle Driver Set Screw. |
| 183(803) | Feed Wheel Friction Spring Screw. | 1513(809) | Feed Rock Shaft Screw Centre Nut. |
| 183(803) | Feed Wheel Retaining Clutch Cap Screw. | 1513(809) | Feed Wheel Frame Shaft Screw Centre Nut. |
| 190(809) | Roller Presser Screw. | 1518(805) | Feed Connecting Link Hinge Screw Nut. |
| 196(806) | Needle Clamp Screw. | 1518(809) | Feed Forked Connection Hinge Screw Nut. |
| 207(805) | Needle Bar Connecting Stud Clamping Screw. | 1518(809) | Oscillating Shaft Crank Slide Block Screw Stud Nut. |
| 219(809) | Arm Side Cap Screw. | 1520(813) | Presser Bar Lifter Screw Nut. |
| 225(806) | Slack Thread Regulator Adjusting Screw. | 1521(805) | Knee or Foot Lifter Lifting Lever Connecting Rod Lock Nut. |
| 226(804) | Oscillating Shaft Crank Slide Block Cap Screw. | 1528(809) | Roller Screw Nut. |
| 233(805) | Arm Shaft Flanged Bushing (back) Oil Drip Screw. | 1560(803) | Tension Regulating Thumb Nut. |
| 233(809) | Needle Bar Thread Guard Screw. | 1619(805) | Crank Connecting Rod Hinge Screw Nut. |
| 240(804) | Feed Wheel Retaining Clutch Spring Screw. | 1655(805) | Feed Wheel Driver Link Hinge Screw Nut for 331K6. |
| 243(803) | Feed Wheel Driver Block (inside) Screw Stud End Screw for 331K6. | 1841 | Roller. $\frac{7}{8}$ " diam., (fine), with 652(804) and 1528(809). |
| 248(801) | Clamp Stop Motion Clamp Stop Screw for 139715. | 1904 | Needle Bar Connecting Stud Roller (roller only). |
| 256(818) | Clamp Stop Motion Clamp Screw for 139715. | 2102 | Tension Disc. |
| 304(803) | Feed Wheel Frame Shaft Screw Centre (left). | 2167 | Needle Clamp, with 196(806). |
| 307(803) | Feed Rock Shaft Screw Centre. | 2254 | Feed Wheel Retaining Clutch. |
| 307(803) | Feed Wheel Frame Shaft Screw Centre (right). | 2255 | Feed Wheel Retaining Clutch Cap. |
| 335(813) | Thread Take-up Lever Guard Screw. | 2256 | Feed Wheel Retaining Clutch Spring. |
| 375(803) | Feed Connecting Link Hinge Screw. | * 2258 | Feed Wheel |
| 375(803) | Feed Forked Connection Hinge Screw. | | * Supplied with machine unless otherwise specified on order. |
| 391(813) | Shuttle Bobbin Case Position Plate Screw. | 2265 | Feed Wheel Driver Spring for 331K6. |
| 435(830) | Arm Shaft Bushing (intermediate) Set Screw. | 2266 | Feed Wheel Driver Spring Hook for 331K6. |
| 435(830) | Machine Pulley Set Screw. | 2531 | Shuttle Race Back. |
| 435(830) | Thread Take-up Lever Link Hinge Pin Set Screw. | 2532 | Shuttle Race Back Position Pin (not illustrated). |
| 443(830) | Arm Shaft Bushing (front) Set Screw. | 2973 | Shuttle Bobbin Case Latch Lever. |
| 446(830) | Feed Eccentric Set Screw. | 2974 | Shuttle Bobbin Case Latch Lever Fulcrum Pin. |
| 448(830) | Arm Shaft Flanged Bushing (back) Set Screw. | 2975 | Shuttle Bobbin Case Latch Spring. |
| 448(830) | Knee or Foot Lifter Lifting Lever Pin Set Screw. | 2996 | Shuttle Bobbin. |
| 448(830) | Oscillating Rock Shaft Hinge Pin Set Screw. | 3093 | Oscillating Shaft Crank Pin. |
| 448(830) | Thread Take-up Spring Regulator Set Screw. | 3094 | Thread Take-up Crank Wedge (not illustrated). |
| 453(830) | Feed Wheel Frame Set Screw. | 3114 | Feed Wheel Friction Plate. |
| 453(830) | Presser Bar Guide Bracket Set Screw. | 4307 | Shuttle Race Slide Spring. |
| 456(830) | Roller Arm Bracket Position Collar Set Screw. | 4784 | Oscillating Rock Shaft Oil Pad. |
| 457(830) | Oscillating Shaft Crank Set Screw. | 5570 | Feed Eccentric, with 446(830). |
| 591(806) | Shuttle Tension Regulating Screw. | 5596 | Knee or Foot Lifter Bell Crank. |
| 592(805) | Shuttle Bobbin Case Latch Stop Screw. | 5598 | Knee or Foot Lifter Bell Crank 5596 with 5599, 5601 and 5735. |
| 624(830) | Thread Retainer Set Screw. | 5599 | Knee or Foot Lifter Bell Crank Bracket. |
| 652(804) | Roller Screw. | 5601 | Knee or Foot Lifter Bell Crank Hinge Pin. |
| 662(830) | Shuttle Race Cap Screw. | 5709 | Shuttle Race Cap. |
| 688(809) | Pressure Regulating Thumb Screw. | 5735 | Knee or Foot Lifter Bell Crank Spring. |
| 689(803) | Presser Bar Lifter Screw. | 5750 | Thread Take-up Crank Wedge 3094 with 690(805), (not illustrated). |
| 690(805) | Thread Take-up Crank Wedge Screw. | 7336 | Thread Take-up Spring Regulator. |
| 691(850) | Throat Plate Screw. | 8879 | Arm Spool Pin Washer (cloth). |
| 766(804) | Knee or Foot Lifter Lifting Lever Link Hinge Screw. | * 11167 | Presser Bar Spring (light). |
| 775(805) | Thread Take-up Lever Cap Screw. | | * Supplied with machine unless otherwise specified on order. |
| 794(805) | Needle Bar Connecting Link Adjusting Screw. | 11170 | Presser Bar Spring Washer. |
| 802(819) | Knee or Foot Lifter Lifting Lever Hinge Screw. | 12139 | Presser Bar Spring (medium). |
| 896(805) | Crank Connecting Rod Cap Screw. | 12237 | Knee or Foot Lifter Lifting Lever with 448(830). |
| 908(803) | Crank Connecting Rod Hinge Screw. | 12240 | Knee or Foot Lifter Lifting Lever Pin. |
| 987(805) | Roller Arm Bracket Screw Stud (not illustrated). | 12241 | Knee or Foot Lifter Lifting Lever Link. |
| | | 12327 | Presser Bar Lifting and Releasing Lever Bracket. |
| | | 12329 | Tension Releasing Lever Spring. |

| <u>Part No.</u> | <u>Description</u> | <u>Part No.</u> | <u>Description</u> |
|-----------------|--|-----------------|---|
| 12382 | Needle Bar Connecting Link, with 794(805). | 44245 | Needle Bar Thread Guard. |
| 12388 | Oscillating Rock Shaft Hinge Pin. | 50027(819) | Stitch Indicator Plate Screw. |
| 12389 | Oscillating Shaft. | 50083(830) | Feed Connecting Link Hinge Stud Set Screw. |
| 12393 | Shuttle Body. | 50327(803) | Tension Screw Stud. |
| 12398 | Tension Releasing Lever Hinge Pin. | 51224(818) | Face Plate Thumb Screw. |
| 12404 | Thread Take-up Crank. | 51224(818) | Arm Side Cover Thumb Screw. |
| 12415 | Knee or Foot Lifter Lifting Lever Connecting Rod. | 51354(803) | Face Plate Screw. |
| 12416(813) | Knee or Foot Lifter Lifting Lever Connecting Rod Joint. | 52016 | Presser Bar Lifter. |
| 12424 | Oscillating Shaft Crank Slide Block Cap Screw Washer. | 52045 | Arm Oil Tube Packing (braided cotton). |
| 12427 | Arm Shaft. | 52073 | Feed Connecting Link Hinge Stud. |
| 12429 | Feed Forked Connection. | 52165 | Feed Connecting Link. |
| 12431(819) | Shuttle Race Slide. | 52184 | Arm Oil Tube Packing (wick). |
| 12444 | Shuttle Driver with two 1266(803). | 52239 | Arm Spool Pin and Thread eyelet. |
| 12454 | Arm Oil Tube with 132590. | 52454 | Thread Retainer. |
| 12480 | Arm Side Cap. | 56814 | Feed Rock Shaft Screw Centre 307(803) with 1513(809). |
| 14398 | Oil Cup. | 56814 | Feed Wheel Frame Shaft Screw Centre (right) 307(803), with 1513(809). |
| 15140 | Shuttle Bobbin Case Latch. | 62740 | Shuttle Bobbin Case with 591(806), 592(805), 2975, 15141 and 15278. |
| 15141 | Shuttle Bobbin Case Hinge, Nos. 2973, 2974 and 15140. | 62749 | Shuttle Race Body. |
| 15278 | Shuttle Tension Spring. | 62751 | Shuttle Race Body 62749 with 5709, two each 662(830) and 2532. |
| 16572 | Roller Arm. | 80865 | Drip Pan, with four wood screws $\frac{1}{2}$ " No.5. |
| * 16580 | Roller Presser, complete, $\frac{7}{8}$ " fine roller, Nos.1841 and 16572. | 81240 | Oscillating Shaft Crank for 331K16. |
| | | 81241 | Feed Rock Shaft complete, Nos., 29633 and 139854 for 331K16. |
| | | 81335 | Feed Wheel Driver complete, Nos. 93390, 93391, 109339(803), 109340(803), 109826 and 139855 for 331K16. |
| | | 81336 | Oscillating Shaft 12389 with 12444 and 81337 for 331K16. |
| | | 81337 | Oscillating Shaft Crank complete, Nos.457(830), 1518(809), 19449 and 81240 for 331K16. |
| | | 93390 | Feed Wheel Driver Block (inside). |
| | | 93391 | Feed Wheel Driver Block (outside). |
| | | 93821 | Feed Rock Shaft for 331K6. |
| | | 93822 | Feed Rock Shaft, complete Nos.29633 and 93821 for 331K6. |
| | | 93823 | Feed Wheel Driver with 2266 for 331K6. |
| | | 93824 | Feed Wheel Driver, complete Nos.243(803), 93390, 93391, 93823, 109339(803) and 109340(803) for 331K6. |
| | | 93825 | Feed Wheel Frame with 453(803). |
| | | 93826 | Feed Wheel Frame Adjuster. |
| | | 93827 | Feed Wheel Frame Adjuster Link. |
| | | 93828 | Feed Wheel Friction Spring. |
| | | 93829 | Feed Wheel Frame, complete, Nos. 151(803), 240(804), 999(803), 2254 to 2256, 2258, 3114, 93825 to 93828, 109079 and two 183(803). |
| | | 99627 | Arm Oil Tube with 52045. |
| | | 109079 | Feed Wheel Frame Adjuster Thumb Screw. |
| | | 109339(803) | Feed Wheel Driver Block (outside) Screw Stud. |
| | | 109340(803) | Feed Wheel Driver Block (inside) Screw Stud. |
| | | 109353(803) | Feed Wheel Frame Adjuster Link Screw Stud. |
| | | 109706(830) | Belt Guard Set Screw (not illustrated). |
| | | 109826 | Feed Wheel Driver Spring Stud for 331K16. |
| | | 113133 | Feed Wheel Driver Link Hinge Screw Nut for 331K16. |
| | | 125044 | Crank Connecting Rod Oil Pad (felt). |
| | | 125344 | Feed Wheel Frame Shaft Screw Centre (left) 304(803) with 1513(809). |
| | | 132590 | Arm Oil Tube Packing (braided cotton). |
| | | 139615 | Face Plate Thread Guard (upper). |
| | | 139649 | Shuttle Race Back Spring (quick) Release Lever. |
| | | 139650 | Shuttle Race with Quick Release Lever, complete, Nos.2531, 24412, 62751, 139649, 139651, 140859(803), and two 391(813). |
| | | 139651 | Shuttle Race Back Spring. |
| | | 139702 | Arm Oil Tube. |
| | | 139703 | Arm Oil Tube 139702 with 52184. |
| | | 139704 | Arm Oil Tube. |
| 19292 | Shuttle 1 11/16" diam., complete, Nos.2996, 12393 and 62740. | | |
| 19441 | Presser Bar (hollow). | | |
| 19442 | Roller Arm Bracket. | | |
| 19443 | Roller Arm Bracket Position Collar, with 456(830). | | |
| 19444 | Roller Arm Bracket Spring (not illustrated). | | |
| 19445 | Roller Arm Bracket Spring Pin (not illustrated). | | |
| 19446 | Roller Arm Bracket Spring Stud (not illustrated). | | |
| 19447 | Oscillating Shaft Crank, complete Nos.457(830), 1518(809), 19449 and 19496 for 331K6. | | |
| 19448 | Oscillating Shaft Slide Block. | | |
| 19449 | Oscillating Shaft Crank Slide Block complete, Nos.226(804), 988(803), 12424 and 19448-930. | | |
| 19464 | Presser Bar, complete, Nos.190(809), 19441 to 19443 and 24445. | | |
| 19496 | Oscillating Shaft Crank for 331K6. | | |
| 20006 | Feed Wheel Frame Shaft. | | |
| 20023 | Presser Bar Spring (heavy). | | |
| 20059 | Presser Bar Guide Bracket, with 453(830). | | |
| 20060 | Slack Thread Regulator. | | |
| 20197 | Crank Connecting Rod, with 125044 and two 896(805). | | |
| 20263(850) | Throat Plate (medium oblong needle hole). | | |
| 24131 | Arm Oil Tube with 52045. | | |
| 24412 | Shuttle Bobbin Case Position Plate. | | |
| 24445 | Roller Arm Bracket Spring Stud, complete, Nos.987(805) and 19444 to 19446. | | |
| 24810 | Shuttle Race Slide, complete, Nos.4307, 12431(819) and two 1208(819). | | |
| 29633 | Feed Rock Shaft Crank, with 157(813). | | |
| 32574 | Tension Releasing Pin. | | |
| 43944 | Tension Releasing Lever. | | |
| 43946 | Thread Take-up Spring. | | |
| 44006 | Oil Cup Packing (felt). | | |
| 44007 | Oil Cup, complete, Nos.14398 and 44006. | | |
| 44013 | Oscillating Shaft 12389 with 12444 and 19447 for 331K6. | | |
| 44102 | Feed Wheel Driver Link. | | |
| 44141 | Tension Screw Stud 50327(803) with 1560(803). | | |

* Supplied with machine unless otherwise specified on order.

| <u>Part No.</u> | <u>Description</u> |
|--|---|
| * | Arm Shaft Bushing (front). |
| * | Arm Shaft Bushing (intermediate). |
| * | Arm Shaft Flanged Bushing (back). |
| * Not Supplied to Agencies | |
| 139709 | Arm Shaft Flanged Bushing (back) with 233(805), 139710 and 139711. |
| 139710 | Arm Shaft Flanged Bushing (back) Oil Drip. |
| 139711 | Arm Shaft Flanged Bushing (back) Oil Pad. |
| 139712 | Arm Side Cover. |
| 139714 | Clamp Stop Motion Flanged Bushing with two 140713(830) for 139715. |
| 139715 | Clamp Stop Motion, complete, Nos.248(801), 256(818), 139714 and 171502 for use with Machine Pulley No.139726. |
| 139716 | Face Plate. |
| 139717 | Face Plate, complete, Nos.139615, 139716, and 139768. |
| 139723 | Feed Regulator Hinge Screw Friction Washer. |
| 139724 | Machine Pulley (Disc) 'V' belt groove (diam. of belt groove 2.9"), with two 435(830) for Latin America, Orient and United States. |
| * 139725 | Machine Pulley (Disc, Heavy Rim) 'V' belt groove (diam. of belt groove 2.9") with two 435(830). |
| * Supplied with machine unless otherwise specified on order. | |
| 139726 | Machine Pulley (Disc, Heavy Rim) Round Belt (diam. of belt groove 3"). |
| 139729 | Needle Bar Bushing (lower). |
| 139730 | Needle Bar Bushing (upper). |
| 139731 | Needle Bar Connecting Link 12382 with 139733. |
| 139733 | Needle Bar Connecting Stud 139765 with 1904. |
| 139734 | Needle Bar Crank with 1065(830). |
| 139735 | Oscillating Rock Shaft. |
| 139736 | Oscillating Rock Shaft, complete, Nos.4784, 12388 and 139735. |
| 139737 | Stitch Indicator Plate. |
| 139738 | Tension, complete, Nos.7336, 32574, 43946, 44141, 147151, 147152 and two 2102. |
| 139740 | Thread Take-up Lever with 139742. |
| 139741 | Thread Take-up Lever Link. |
| 139742 | Thread Take-up Lever Thread Eyelet Bushing. |
| 139743 | Thread Take-up, complete Nos.775(805), 12404, 139731, 139740, 139741 and 166024. |
| 139744 | Needle Bar (hollow). |
| 139745 | Needle Bar 139744 with 233(809), 2167 and 44245. |
| 139760 | Arm Shaft 12427 with 5570, 20197 and 139734. |
| 139762 | Feed Forked Connection complete, Nos.375(803), 1518(809), 12429 and 52165. |
| 139763 | Feed Regulator with 50083(803). |
| 139764 | Feed Regulator 139763 with 52073. |
| 139765 | Needle Bar Connecting Stud with 207(805). |
| 139766 | Thread Take-up Lever Guard. |
| 139768 | Face Plate Thread Guard (lower). |
| 139854 | Feed Rock Shaft for 331K16. |
| 139855 | Feed Wheel Driver for 331K16. |
| 139856 | Feed Wheel Driver Spring for 331K16. |
| 140713(830) | Clamp Stop Motion Flanged Bushing Set Screw for 139714. |
| 140784(803) | Feed Regulator Hinge Screw. |
| 140837(818) | Feed Regulator Thumb Screw. |
| 140859(803) | Shuttle Race Back Spring Screw. |
| 147151 | Tension Releasing Disc. |
| 147152 | Tension Spring. |
| 166019 | Stitch Indicator. |
| 166024 | Thread Take-up Lever Link Hinge Pin. |
| 171502 | Clamp Stop Motion Clamp Washer for 139715. |

ALTERNATIVE FEED WHEELS, ROLLER PRESSERS AND THROAT FLATES.

| <u>Part No.</u> | <u>Description</u> |
|--|---|
| 386(804) | Roller Screw for 1911 and 1912. |
| 388(804) | Roller Screw for 51801 and 51802. |
| 652(804) | Roller Screw for 1868. |
| 1528(809) | Roller Screw Nut for 1868, 1911 and 1912. |
| 1550(809) | Roller Screw Nut for 51801 and 51802. |
| 1868 | Roller, 1/2" diam., (coarse), with 652(804) and 1528(809) for 16579. |
| 1911 | Roller, 1 1/4" diam., (coarse), with 386(804) and 1528(809) for 16581. |
| 1912 | Roller, 1 1/4" diam., (fine), with 386(804) and 1528(809) for 16582. |
| 15022 | Feed Wheel (coarse teeth). |
| 16572 | Roller Arm for 16579. |
| 16573 | Roller Arm for 16581 and 16582. |
| 16579 | Roller Presser, 1/2" diam., coarse roller, complete, Nos.1868 and 16572. |
| 16581 | Roller Presser, 1 1/4" diam., coarse roller, complete, Nos.1911 and 16573. |
| 16582 | Roller Presser, 1 1/4" diam., fine roller, complete, Nos.1912 and 16573. |
| 20165(850) | Throat Plate (small oblong needle hole). |
| 20262(850) | Throat Plate (large oblong needle hole). |
| 20264(850) | Throat Plate (small oblong needle hole). |
| 24903 | Roller Arm for 24904 and 24905. |
| 24904 | Roller Presser, 1/16" diam., coarse roller, complete, Nos.24903 and 51801. |
| 24905 | Roller Presser, 9/16" diam., fine roller, complete, Nos.24903 and 51802. |
| 51801 | Roller, 9/16" diam., coarse, with 388(804) and 1550(809) for 24904. |
| 51802 | Roller, 9/16" diam., fine, with 388(804) and 1550(809) for 24905. |
| <u>ACCESSORIES</u> | |
| Tool 293 | Belt Guard Support Screw Key. |
| 2996 | Bobbin. |
| 4885 | Foot Lifter Treadle. |
| * 6439 | Foot Lifter Chain, 36" to 45". |
| * When ordering state length required. | |
| 12361 | Machine Hinge Connection. |
| 27308 | Bobbin Winder Spool Stand for 27544. |
| 27544 | Bobbin Winder (swinging automatic, right hand) complete Nos. 27308 and 27647. |
| 27647 | Bobbin Winder for 27544. |
| 27739 | Thread Unwinder Thread Cone (Wood). |
| 86720 | Oiler. |
| 87623 | Machine Rest Pin. |
| 93817 | Knee Lifter Rock Shaft complete. |
| 93847 | Foot Lifter Rock Shaft complete. |
| 93849 | Belt Guard for use with Machine Pulley No.139725. |
| 104212 | Bobbin Winder (swinging automatic, right hand). |
| 161294 | Screw Driver (machine). |
| 161295 | Screw Driver (shuttle tension). |
| 174112 | Belt Guard for use with Machine Pulley No.139724. |
| 225258 | Thread Unwinder (for two spools). |

Refer to illustrated side of Chart to determine Accessories supplied with machine as Standard.